

CAUTION: THIS PRODUCT MUST BE INSTALLED IN ACCORDANCE WITH THE APPLICABLE INSTALLATION CODE BY A PERSON FAMILIAR WITH THE CONSTRUCTION AND OPERATION OF THE PRODUCT AND THE HAZARDS INVOLVED. SAVE THESE INSTRUCTIONS!



WARNING: Before beginning installation, disconnect electrical power at main switch or circuit breaker.

IMPORTANT SAFEGUARDS

Ensure that the electrical wiring conforms to the National Electrical Code NEC® and local regulations if applicable. Installation and servicing of this equipment should be performed by qualified service personnel only. Do not mount near gas or electric heaters. Equipment should be mounted in locations and at heights where it will not readily be subjected to tampering by unauthorized personnel. The use of accessory equipment not recommended by the manufacturer may cause an unsafe condition. Any modification or use of non-original components will void the warranty and product liability. Do not use this equipment for other than intended use.

INSTALLATION INSTRUCTIONS

1

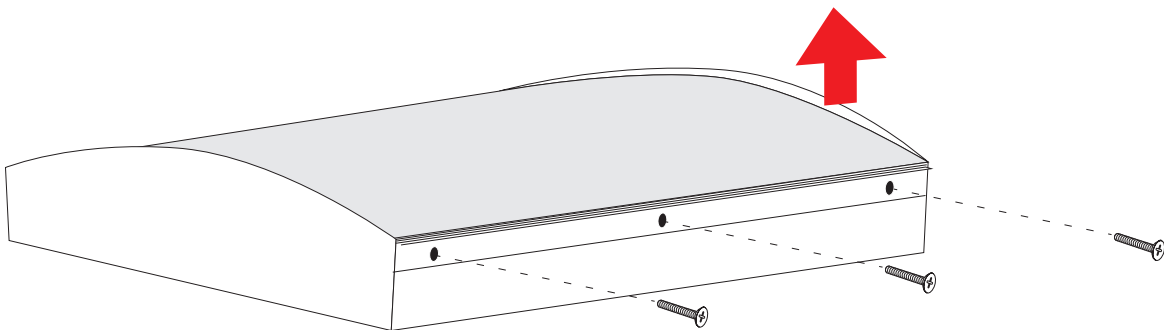


REMINDER: TO AVOID ELECTRIC SHOCK HAZARD, DISCONNECT THE POWER AT THE PANEL BOARD (CIRCUIT BOX) BEFORE BEGINNING INSTALLATION!

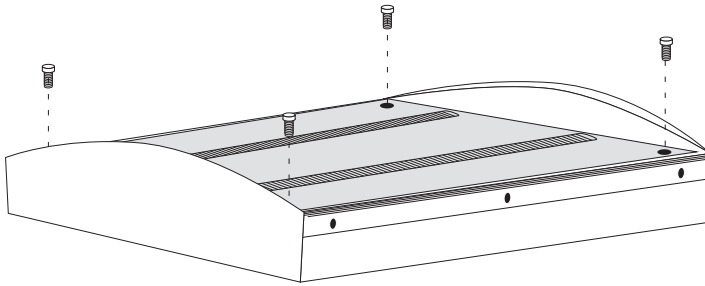
Disconnect the quick connect from the fixture, and wire to appropriate wires. Connect power supply leads to fixture leads. Ensure to use connectors suitable for the gauge/wires that are being used. Create connections in the junction box. Ensure that fixture is properly grounded.

2

Remove 6 each #10-32 screws from fixture housing (3 each side). This will provide access to remove the Polycarbonate lens diffuser.

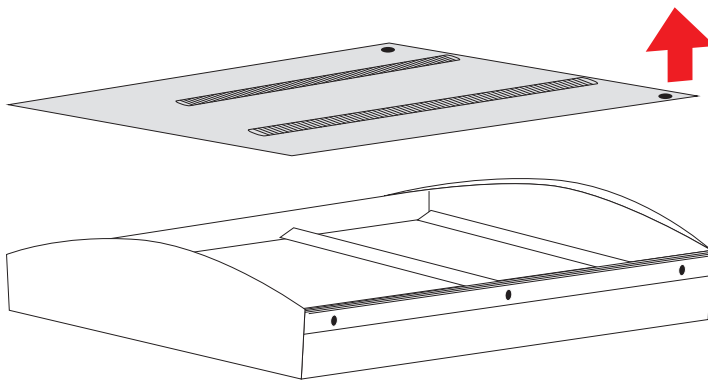


3



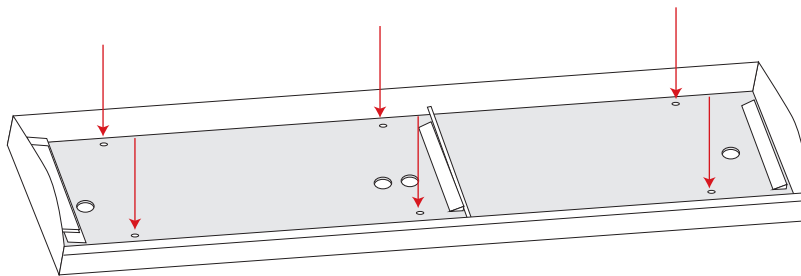
Remove 4 each #8-32 Phillips head screws from Reflector Tray.

4



Remove Reflector Tray using caution to **not place strain on LED wiring**. This will expose 6 each 3/8" mounting holes for surface mounting application. Hardware supplied by end user for mounting.

5



Drill pilot holes in desired mounting surface (usually over an electrical junction box that will be used to power fixture). Use appropriate fasteners/anchors (supplied by others) for the fixture weight as well as mounting surface.

6

Bring the quick connect back through fixture access hole, and reconnect to fixture. Place quick connect into the junction box.

Reassemble fixture in the reverse order.